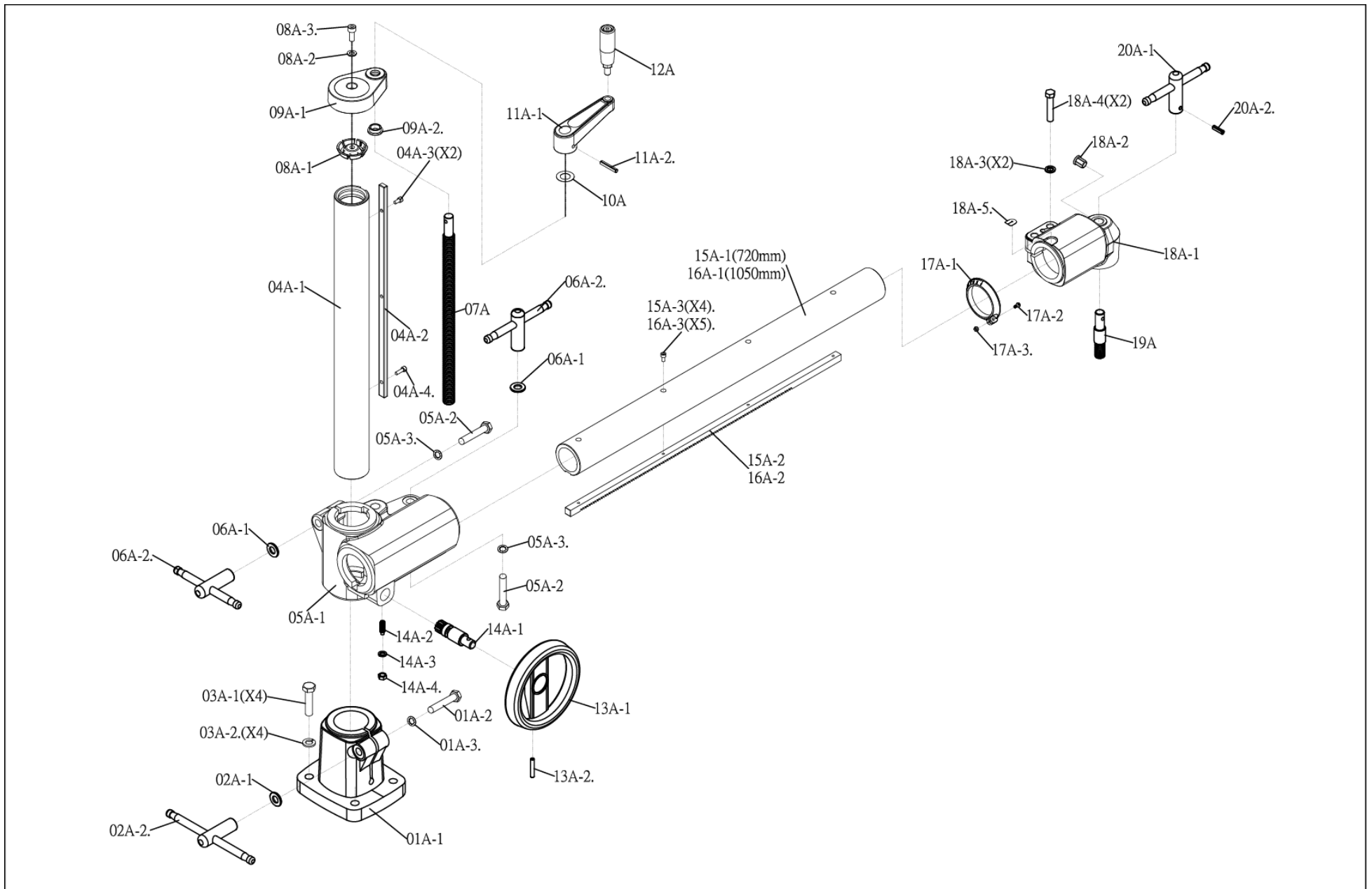


Part No.	Code No.	Description	Q'ty	Part No.	Code No.	Description	Q'ty	Part No.	Code No.	Description	Q'ty
01A	01A	Sprocket Case (Left)	2	12A	12A	Wormgear Shaft Kit	1	35A-2	N030006	Spring Washer	4
01A-1	C020107A	Sprocket Case	1	12A-1	G320038	Wormgear Shaft	1	35A-3.	S900625	Cap Screw	4
01A-2	A500335	Bushing	2	12A-2	K420618	Key 6X6X18L	1	36A	36A	DC Motor Kit DC540V	1
01A-3	T315106	Grease Nipple M6	1	12A-3.	N510015	Snap Ring	1	36A-1	L491112	DC Motor	1
01A-4	N950001	Spring	1	13A	B036003	Bearing(#6003)	1	36A-2	N030006	Spring Washer	4
01A-5.	U010052	Case Cover	1	14A	Q021701	Oil Seal	1	36A-3.	S900625	Cap Screw	4
02A	02A	Sprocket Case (Right)	2	15A	15A	Wormgear Cover Kit	1	37A	37A	Grounding Wire Kit	1
02A-1	C020108A	Sprocket Case	1	15A-1	C020099	Wormgear Cover	1	37A-1	S900512	Cap Screw	2
02A-2	A500335	Bushing	2	15A-2.	S060616	Cap Screw	3	37A-2	N010510	Flat Washer	2
02A-3	T315106	Grease Nipple	1	16A	A500303	Sprocket	2	37A-3	N050005	Lock Washer	4
02A-4	N950001	Spring	1	17A	A500307	Double-Sprocket	6	37A-4.	J910099	Grounding Wire 18AWGX120L	1
02A-5.	U010052	Case Cover	1	18A	K330026	Chain(26S)	1	38A	38A	Housing Cover Kit	1
03A	03A	Tube Kit	4	19A	K330040	Chain(40S)	2	38A-1	U010270	Housing Cover	1
03A-1	E270006	Tube	1	20A	K330066	Chain(66S)	1	38A-2	P340001	Safety Sticker	1
03A-2.	N510026	Snap Ring	1	21A	21A	Oil Filler Cap Kit	1	38A-3	P320079	Checked label	1
04A	04A	Sprocket Shaft Kit	4	21A-1	Q010012	"O" Ring	1	38A-4	P200118	Model Label-DC40	1
04A-1	G320132	Sprocket Shaft	1	21A-2.	U010008	Oil Filler Cap	1	38A-5	T402044	AL Nail	2
04A-2	N510015	Snap Ring	1	22A	22A	Control Panel Kit	1	38A-6	S900620	Cap Screw	1
04A-3.	T315106	Grease Nipple	1	22A-1	J011235	Control Panel	1	38A-7.	S900630	Cap Screw	2
05A	K330026	Chain (26S)	4	22A-2.	S050308-001	Tap Screw	3	39A	U210041	Roller	4
06A	06A	Roller Spindle Kit	4	23A	23A	Control Box Kit	1	40A	40A	Pivot-Joint Kit	1
06A-1	A400005	Roller Spindle	1	23A-1	U010271	Control Box	1	40A-1	A250006	Pivot-Joint	1
06A-2	A510003	Washer	1	23A-2	P360007	Control Panel	1	407A-2	S900825	Cap Screw	4
06A-3	N11012H	Nut	1	23A-3.	S050412-001	Tap Screw	1	40A-3.	N810816	Lock Pin	2
06A-4	N011630	Flat Washer	1	24A	U010272	Speed Knob	1	41A	A250007	45 Degree Swivel Kit	1
06A-5.	N11016R	Nut	1	25A	25A	Protecting Cover Kit	1	42A	G020113	Screw (M16XP1.5)	1
07A	07A	Sprocket Kit	4	25A-1	U010274	Protecting Cover	1	43A	43A	Pull Handle Kit	1
07A-1	A500309	Sprocket	1	25A-2.	S900525	Cap Screw	1	43A-1	T060032	Pull Handle	1
07A-2	N050057	Lock Washer	2	26A	26A	Wire clamp Kit	1	43A-2.	N810622	Lock Pin	1
07A-3.	S900620	Cap Screw	2	26A-1	U010278	Wire clamp	1	44A	44A	Locating Pin Kit	1
08A	08A	Housing Frame Kit	1	26A-2.	S500412	PH. Screw ( M4X12mmL)	2	44A-1	G320275	Locating Pin	1
08A-1	C020101	Housing Frame	1	27A	J530003	Cable Gland (PG-11L)	1	44A-2	N930039	Comp. Spring	1
08A-2	A500301	Bushing	1	28A	28A	Drive Plate Kit( 230V)	1	44A-3.	T005022	Pin Knob	1
08A-3	U010273	Lubricant Gauge	1	28A-1	J011236A	Drive Plate	1	45A	J624322	Power Cord	1
08A-4	C070004	Lubricant Gauge Panel	1	28A-2.	S900540	Cap Screw	2	46A	J624324	Power Cord	1
08A-5	P340497	Warning Mark	1	29A	29A	Drive Plate Kit (400V)	1	47A	J624315	Power Cord	1
08A-6	P340498	Warning Mark	2	29A-1	J011234A	Drive Plate	1	48A	J624316	Power Cord	1
08A-7.	S100610	Set Screw	4	29A-2.	S900540	Cap Screw	2	49A	J624317	Power Cord	1
09A	09A	Flip Handle-Kit	1	30A	P300129	Motor Label(230V)	1	50A	J624319	Power Cord	1
09A-1	U010275	Flip Handle	1	31A	P300130	Motor Label(400V)	1	51A	J624320	Power Cord	1
09A-2	S901050	Cap Screw	1	32A	U010117	Spacer	1	52A	J624414	Power Cord	1
09A-3	N011019	Flat Washer	2	33A	Q010060	"O" Ring	1	53A	J624321	Power Cord	1
09A-4.	N12010R-001	Flange Nut	1	34A	Q022502	Oil Seal	1	54A	J624323	Power Cord	1
10A	Q010072	"O" Ring	1	35A	35A	DC Motor Kit DC310V	1	55A	J624325	Power Cord	1
11A	C120008	Worm Gear	1	35A-1	L491111	DC Motor	1	56A	U210042	Separated Roller φ 120x25mm	8



Part No.	Code No.	Description	Q'ty	Part No.	Code No.	Description	Q'ty	Part No.	Code No.	Description	Q'ty
01A	01A	Base Kit	1	07A	G320090	Elevating Screw	1	15A-1	E580002	Over Arm (720mm)	1
01A-1	A250401	Column Base	1	08A	05A	Fastener Kit	1	15A-2	G340004	Rack (650L)	1
01A-2	S601275	Hex Screw (M12-1.75Px75L)	1	08A-1	U010279	Fastener	1	15A-3	S900510	Cap Screw M5	4
01A-3	N050012	Lock Washer (M12)	1	08A-2	N015816	Flat Washer	1	16A	E580003A	Over Arm Kit (1050mm)	1
02A	02A	Handle Kit	1	08A-3	S900825	Cap Screw M8X25L	1	16A-1	E580003	Over Arm (1050mm)	1
02A-1	N011225	Flat Washer (M12x25D)	1	09A	09A	Column Cape Kit	1	16A-2	G340005	Rack (980L)	1
02A-2	G020010A	Handle(200mL)	1	09A-1	C020110	Column Cape	1	16A-3	S900510	Cap Screw M5X10L	5
03A	03A	Hex Screw Kit	1	09A-2	A500317	T. Bushing	1	17A	17A	Dial Scale kit	1
03A-1	S601250	Hex Screw (M12-1.75Px50L)	4	10A	G150031	Washer	1	17A-1	U010287	Dial scale	1
03A-2	N030012	Spring Washer (M12)	4	11A	11A	Handle Kit	1	17A-2	S500415	PH. Screw M4X15L	1
04A	E580013A	Vertical Column Kit	1	11A-1	U010139A	Handle w/ Bushing	1	17A-3	N11004R	Nut	1
04A-1	E580013	Vertical Column	1	11A-2	N810636	Lock Pin (6x36L)	1	18A	18A	Over Arm Cone Kit	1
04A-2	G340001	Rack	1	12A	U010011	Handle-Grip	1	18A-1	A250403	Over Arm Cone	1
04A-3	S900510	Cap Screw M5X10L	2	13A	13A	Hand wheel Kit	1	18A-2	U010119	Cord Sheath	1
04A-4	S900516	Cap Screw M5X16L	1	13A-1	U010082	Hand wheel	1	18A-3	N030010	Washer	2
05A	03A	Elevating Bracket Kit	1	13A-2	N810636	Lock Pin (6x36L)	1	18A-4	S601050	Screw	2
05A-1	A250402	Elevating Bracket	1	14A	14A	Pinion	1	18A-5	P200125	Pointer Panel	1
05A-2	S601275	Hex Screw (M12-1.75Px75L)	2	14A-1	G020001	Set Screw (M8-1.25Px25L)	1	19A	G020005	Stud M16	1
05A-3	N050012	Lock Washer (M12)	2	14A-2	G000007	Spring Washer (8.3x1.8t)	1	20A	20A	Handle Kit	1
06A	06A	Handle Kit	2	14A-3	N030008	Nut (M8-1.25P)	1	20A-1	G020007A	Handle	1
06A-1	N011225	Flat Washer	1	14A-4	N11008R	Nut	1	20A-2	N810622	Lock Pin	1
06A-2	G020006A	Handle	1	15A	E580002A	Over Arm Kit (720mm)	1				